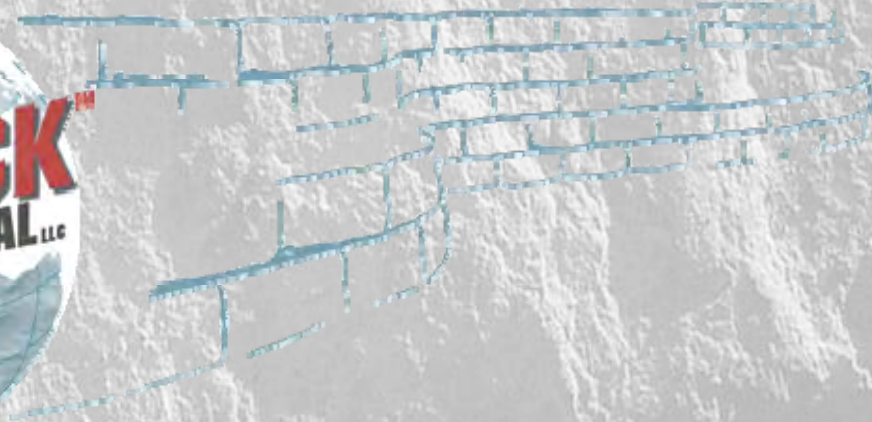


Redi-Rock™

“The Essence of Natural Rock”





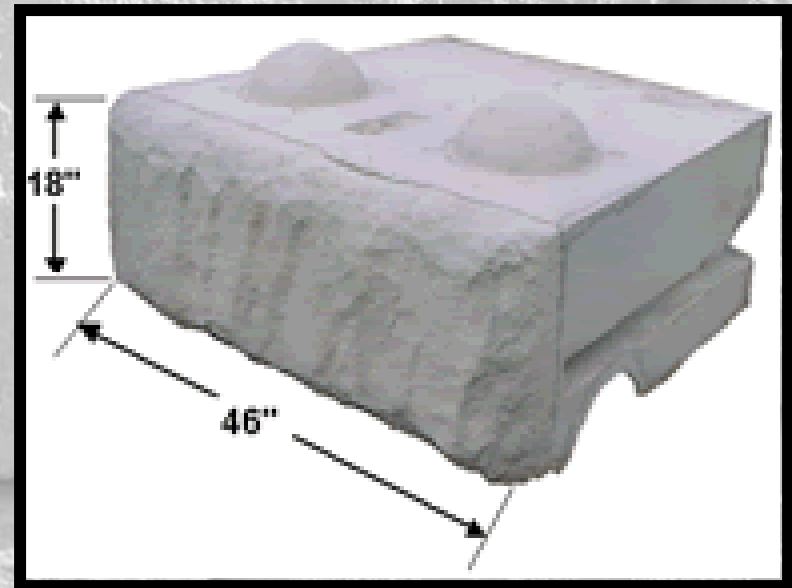
“A Massive, Architectural, Wet Cast,
Engineered, Segmental Retaining
Wall System Designed For Soil
Retention & Erosion Control”

Benefits

- Wet-cast for greater durability
- Ability to achieve 13.5' without geo-grid
- Ability to build closer to property lines
- Minimal labor required for installation
- Fast installation time

How Redi-Rock Works

- Wet cast gravity block
- 5,000 psi
- Massive size (up to 2,400 lbs)
- Interlocking design



“The Essence of Natural Rock”



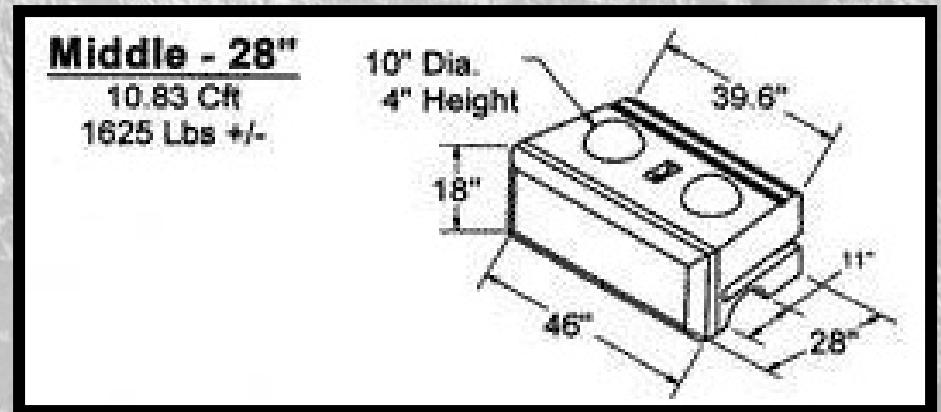
Cobblestone Face



Split Limestone Face

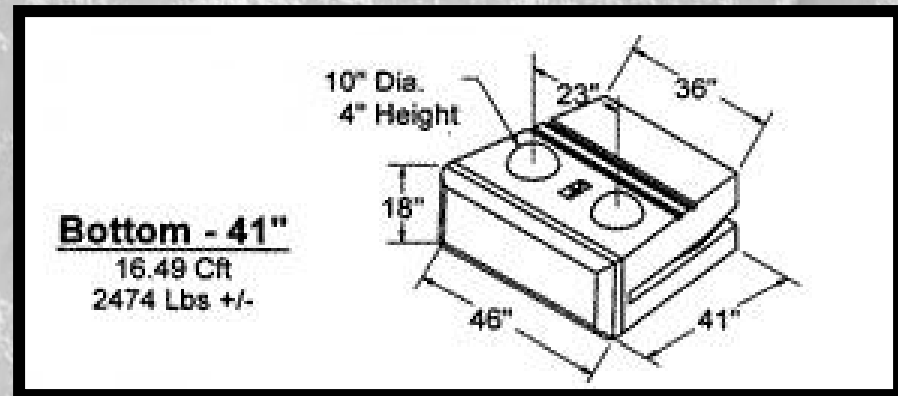
28" Block

- 18" Height
- 46" Width
- **28" DEPTH**
- Avg. weight of 1,600 lbs per block
- Up to 6' in height without geo-grid



41" Block

- 18" Height
- 46" Width
- 41" DEPTH
- Avg. weight of 2,400 lbs per block
- Up to 9' in height without geo-grid



Staining

- Post-applied stain
- Pre-poured color hardener



Installation

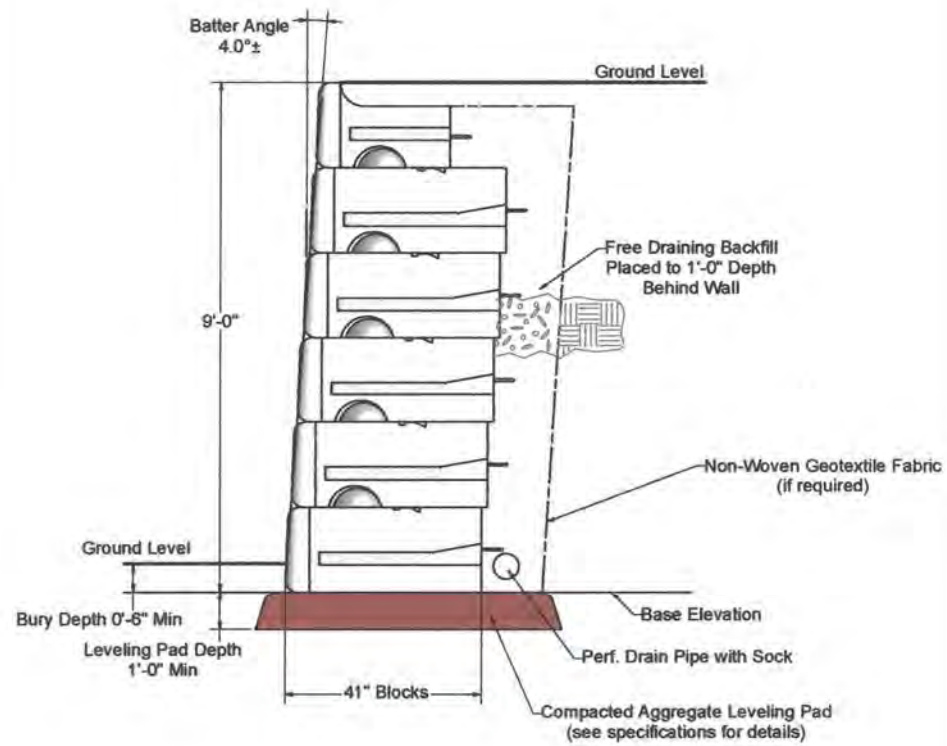


Petosky, MI

Silty Sand, Sandy Clay - Internal Angle of Friction (ϕ) = 28°
Condition A - No Back Slope, No Surcharge

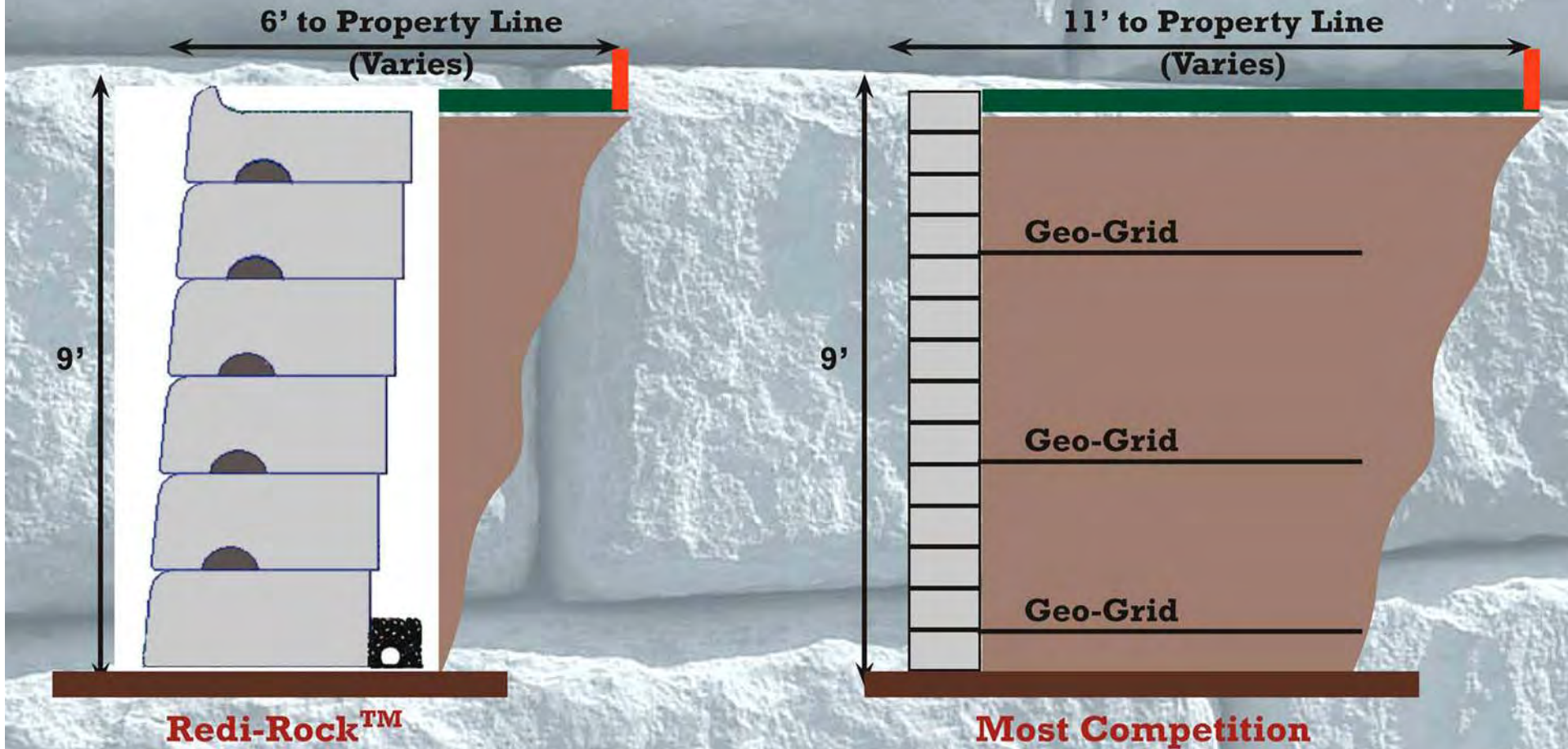
9'-0" Gravity Wall 41" Gravity Blocks

*Drawing Not to Scale

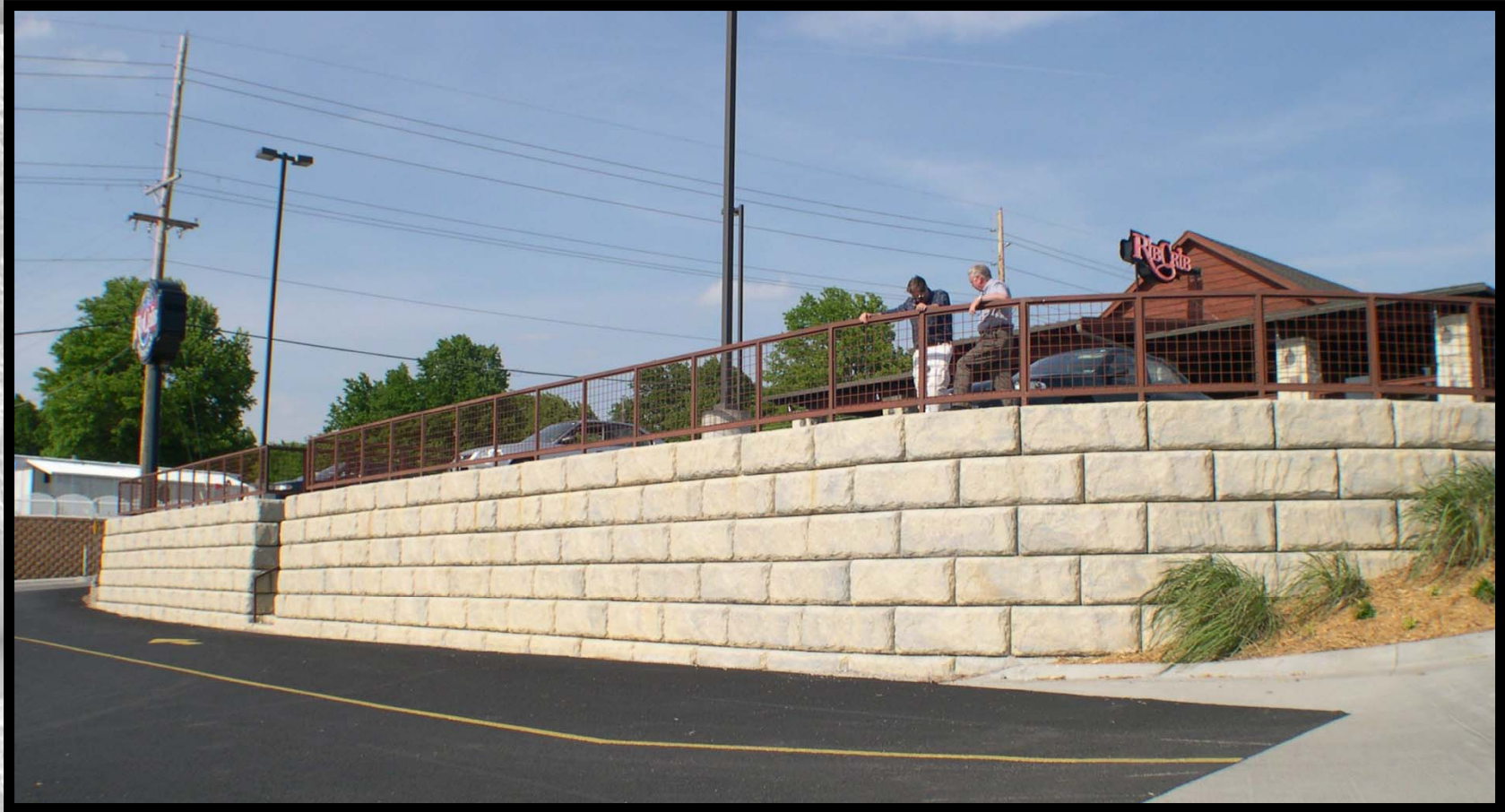


**Preliminary
Not For Construction**

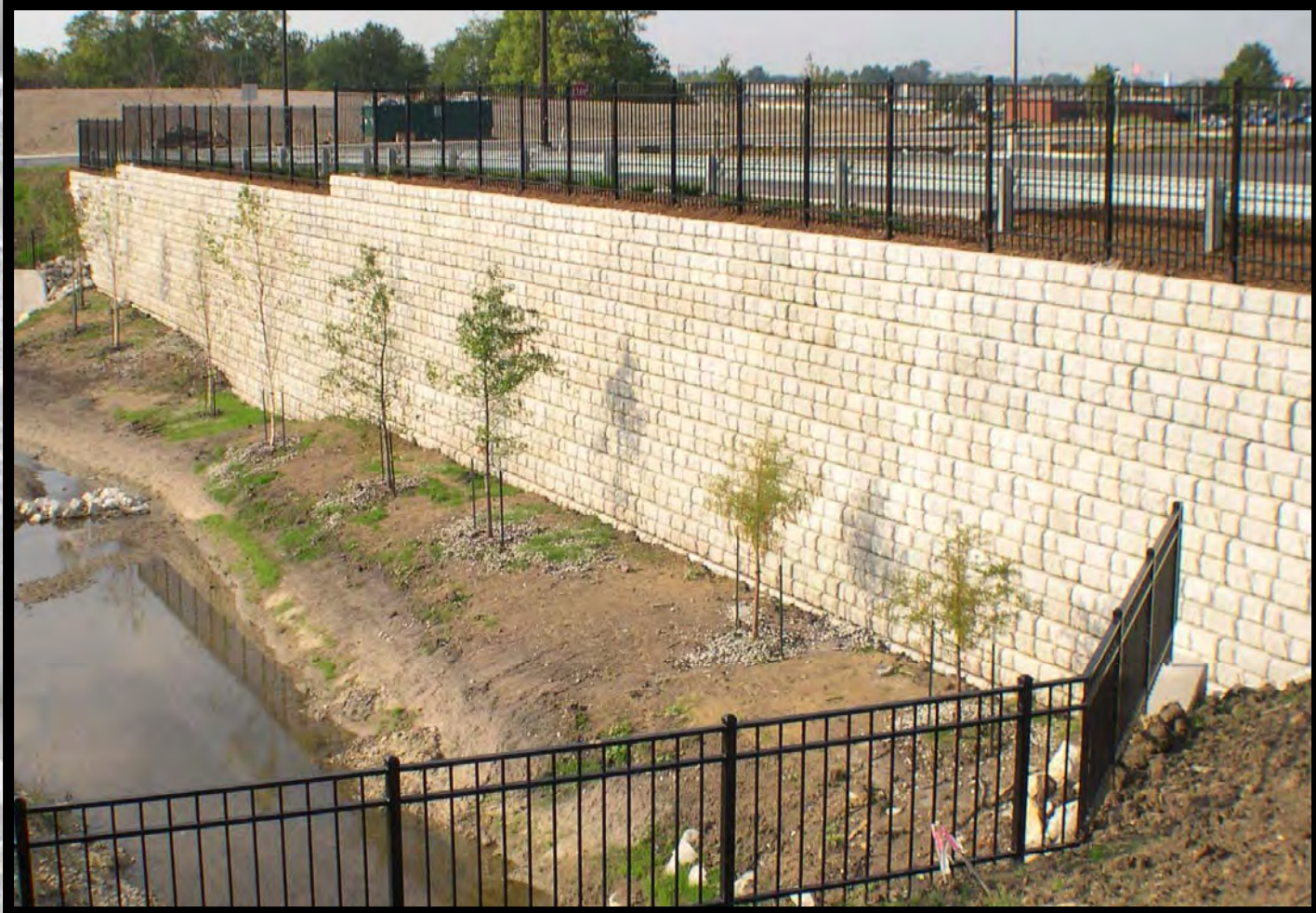
Less Space Required Plus No Geo-Grid With Redi-Rock™



41" Block



Geo-Grid Walls



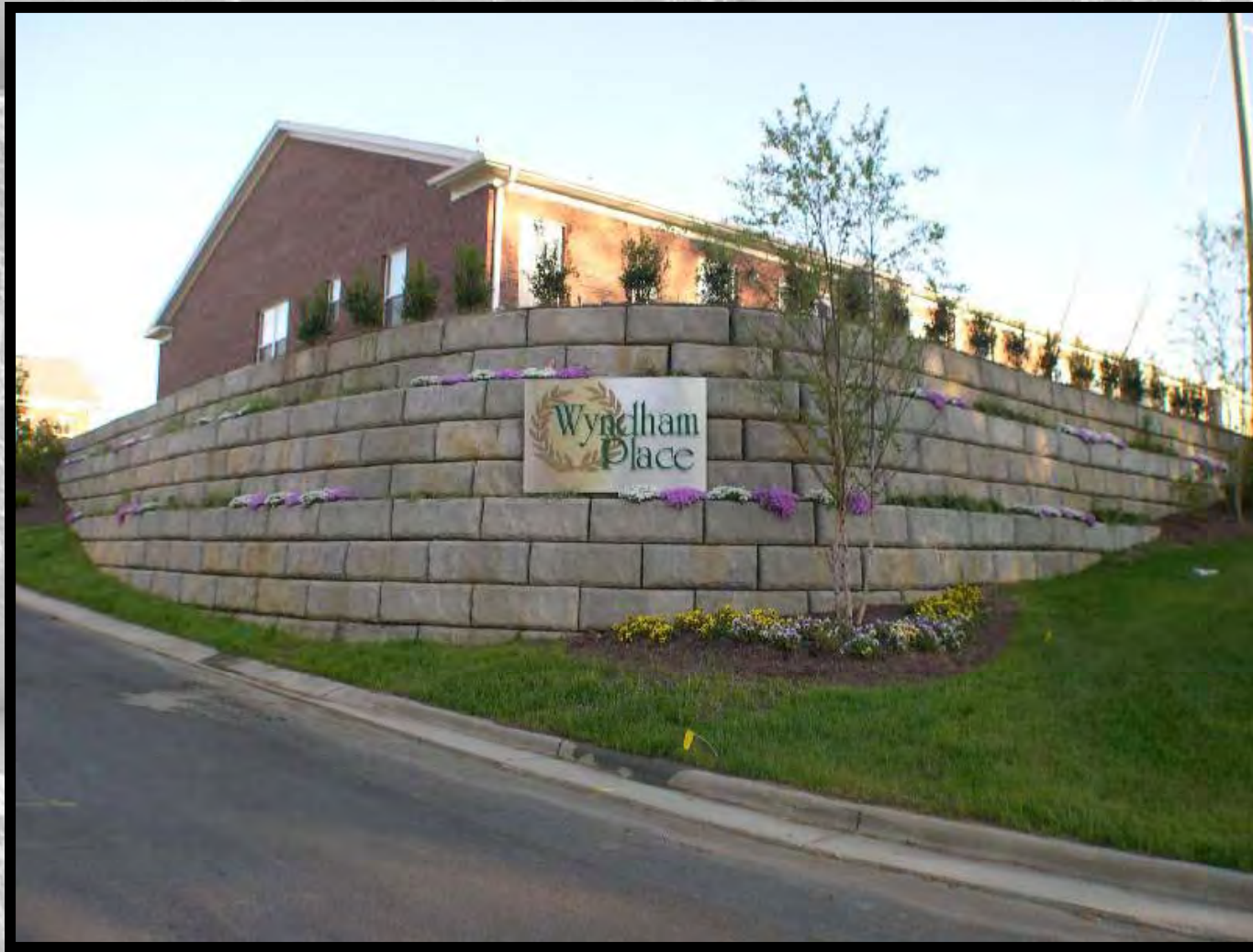
Shoreline Protection



Free Standing Walls



Commercial Uses



Stormwater Management



Stormwater Management



Stormwater Management



Stormwater Management



Lenexa, KS

Redi-Rock Bridges



Redi-Rock



Redi-Rock



Redi-Rock



Redi-Rock



Redi-Rock



Redi-Rock



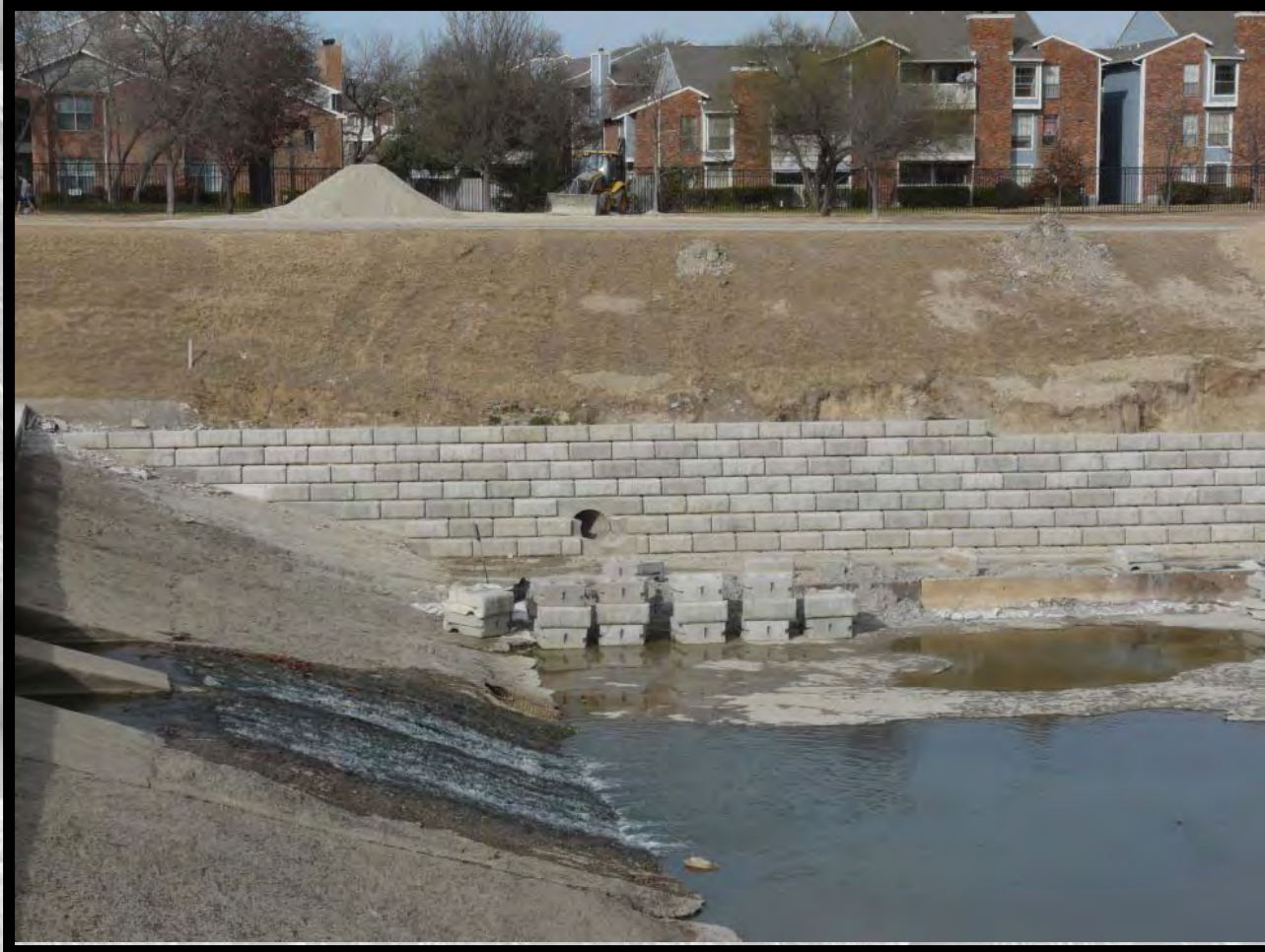
Trin



Trin



Trin



Trin



Trin



Trin



Trin

